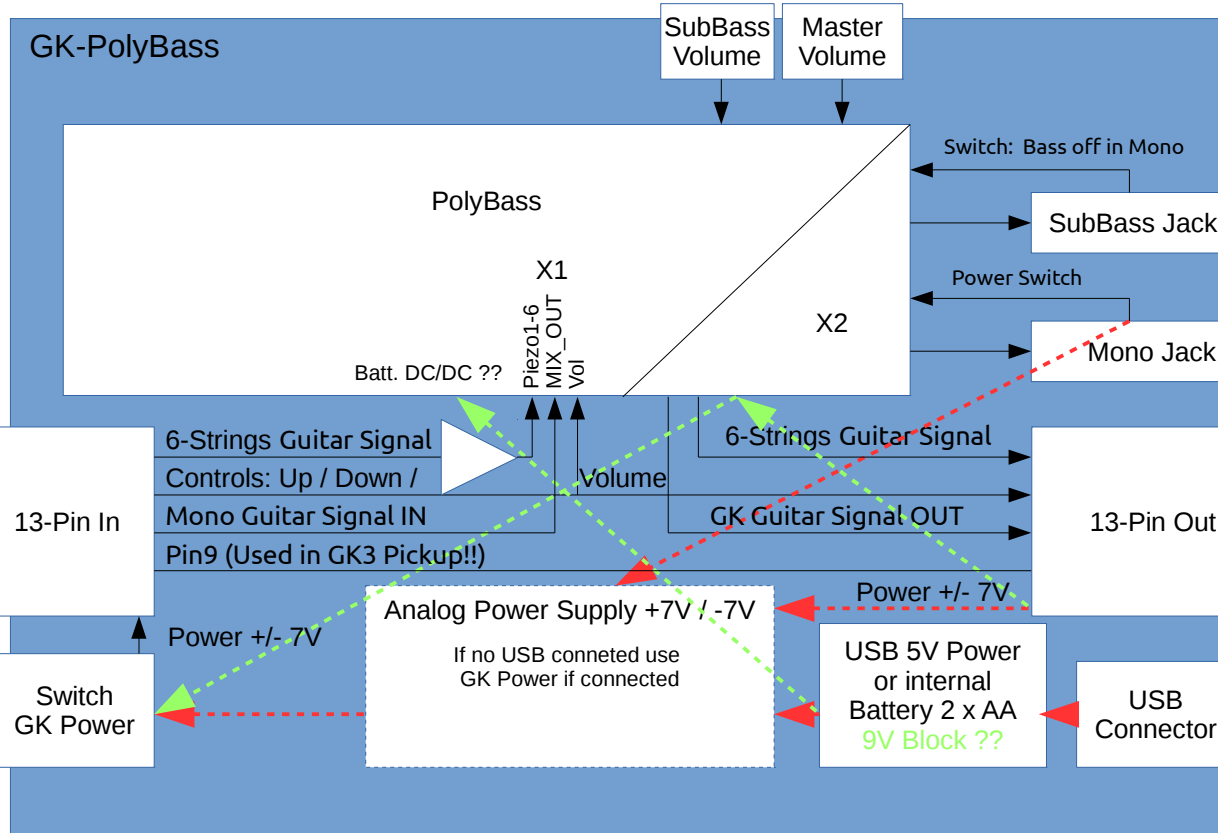




GK 13-Pin Power Supply inside



GK 13-Pin Power Supply needed



V1: GKpolySubBass block diargam, August 2014, ToM@24db.de
 V2.1: GK-PolyBass block diagram, Oktober 2016, ToM@24db.de